

Operating Instructions



Storage Electric Water Heater
Instanio Prime 6 L



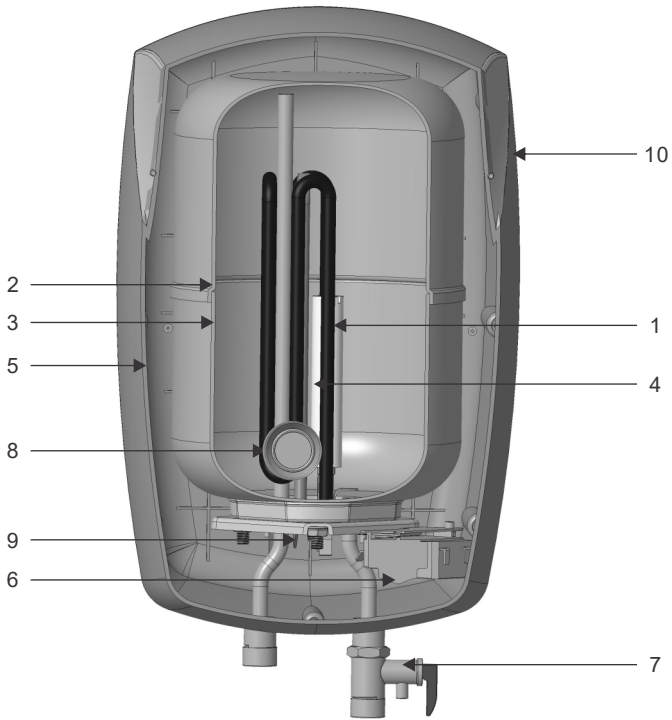
HAVELLS

Dear Customer,

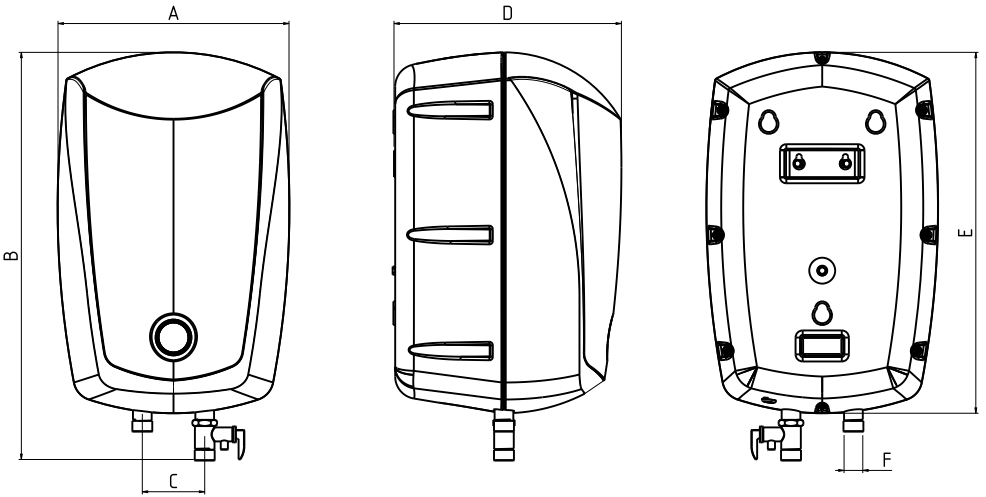
We congratulate you on choosing a **HAVELLS** Electric Water Heater, one of the highly prestigious brand in India. Meticulously designed, using only the highest quality materials and components, your electric water heater is designed to have many years of trouble free operation.

To enable your electric water heater to give you many years of perfect trouble free service, we recommend you to follow the advice contained in this Instruction manual very carefully.

Parts List: Instanio



1. High quality incoloy 800 glass coated heating element
2. Heavy guage inner tank
3. Fero glass coating layer
4. Heavy-Duty anode rod
5. Energy saving high density PUF insulation
6. Thermal cutout / Thermostat with single setting
7. Multifunctional safety valve
8. Temperature indicative color changing LED Lamp
9. 4 Bolt flange
10. High Gloss Outer Plastic Body with Deco



Model	A	B	C	D	E	F
Instantio Prime 6L	260	457	70	254	405	1/2"

*Note: All dimensions are in mm, dimensions tolerance ± 5 mm

Technical Specifications:

S. No.	Parameter	Instanio Prime
1.	Rated Capacity in Ltr.	6
2.	Mounting	Vertical
3.	Rated Voltage in Volts & frequency in Hz.	230v, 1Ph, 50Hz, A.C.
4.	Rated Power Input in Watts	3000
5.	Rated Input Current in Amps	13.04 A
6.	Mean Hot Water Output Temp. (°C)	75
7.	Rated Pressue in MPa	0.8
8.	Standing Loss in KWH/24 hrs/45°C	0.320
9.	Initial heating in Mins. (minm.)	12
10.	Reheating Time in Mins. to raise 50°C	11
11.	Mixing Factor Maximum (%)	30%
	Weight of water heater in kg	
	- Empty	5.90
	- Water Filled	12.10
12.	Water Proof Degree	IP X 4
13.	Class of Appliance	Class I

WARNING:

The installer should review the contents of this manual along with the owner after completion of installation and the manual should be left with the owner and placed at a place close to the installation.

Key Features:



Feroglass

1. Feroglass Coated Tank with single Weld Line Design:
 - A. Made of Ultra thick super cold rolled steel plates 1.5-2mm thick
 - B. Provides more corrosion resistance and anti-rust property compared to standard inner tank designs resulting longer life
 - C. Single weld line on the inner tank eliminates the risk of water leakage
 - D. A die-hard life span for inner tank and more than 25% strength than S.S. tank, ensured by multiple on line testing including
 1. Uric Acid Test
 2. Anti Alkaline Test
 3. Fatigue Test
 4. Environment Synchronization Test



Magnesium Anode

2. Heavy Duty Anode Rod Protects Tank From Corrosion:

With steel core, magnesium anode rod protects enamelled tank from rust and corrosion.



Incoloy Element

3. Incoloy Heating Element:

Incoloy 800 Coated Heating Element offers superior heating performance with its excellent resistance to both oxidation & carbonization at high temp. setting. Also resists erosion against most extreme and hard water conditions thus extending life span of heating element with minimum energy loss.



Polyurethane Insulation

4. Energy Saving High Density Puf Insulation :

CFC free thicker PUF insulation offers complete protection against radiant heat loss.



Thermal Cut out

6. Thermal Cut Out :

Cuts off electric power to guarantee safety , in case the water temp. exceeds the highest temp. Beyond Pre-set of the thermostat.



Multi functional Valve

7. Multifunctional Safety Valve (MFV) :

The MFV used with this unit is a unique safety valve. This has four functions

1. Pressure Release Valve (PRV)
2. Non return Valve (NRV)
3. Vacuum Release Valve (VRV)
4. Drain Device



8. Preset Thermostat

Single setting thermostat at 75°C



4 Bolt Flange

9. 4 Bolt Flange:

Provides an easier way for product maintenance.



10. Color changing LED indicator

Indicated water heating by colour change from Blue to Amber.



11. Fire Retardant Power Cord

Safety Devices:

Havells Water Heater is built-in with a host of Safety Devices to ensure your safety at all times. The operation of these device are described below:

A. Thermostat

Capillary type thermostat: This device “cut-off” and “cut-in” the power supply between a narrow band of temperature range. The indicator lamp provided with this circuit glows with blue and amber radiant during cut-in and cut-off. This shows the proper working of the thermostat. This device is provided with fixed temperature cut off, set at 75°C.

B. Thermal Cutout

A non-self resetting thermal cutout is provided as a safety device. When the thermostat fails to function, this cut-off the power at 105 +/- 5°C.

The thermal cutout has to be manually reset before the heater can start operating again.

C. Color Changing LED Indicator Lamp

LED glow in blue colour represents that, water is heating and when the pre-set temperature is reached, LED glows in Amber colour.

D. Multi Function Valve (MFV)

- This valve prevents the built-up of excessive pressure within the water heater by releasing water from the drain.
- It also acts as a non-return valve to avoid the return of water from the water heater back to supply, thereby prevent the dry heating.
- It acts as an expansion valve to allow the hot water expansion during heating which flows back through drain.

- Customer can ensure proper working of the MFV by cleaning of salt deposits, by lifting the drain lever up. Customer can drain out the water from tank in case of prolonged non-use of water heater.

Installation:

- Always use services of qualified plumber/electrician to install this unit.
- For easy installation and servicing enough space should be provided around this unit (50mm from ceiling, 500 mm from sides & minimum 1.8 m from ground).
- Ensure following tools and accessories are made available before installation of this unit. (not provided by company)

- Drilling machine with concrete drill bit, set of spanner and tool kit.
- Two numbers of metal flexible pipes.

Preparation of Wall Structure

For installation of this unit, you need to prepare the wall suitably.

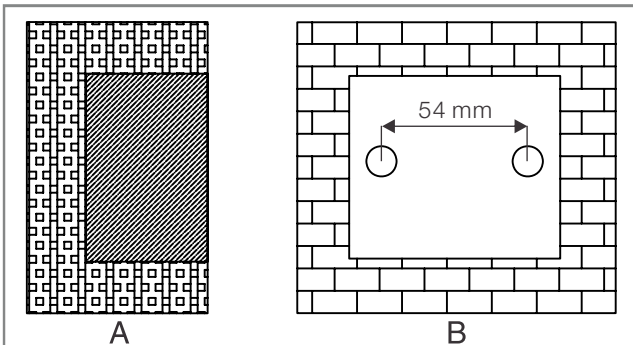
A. In case of hollow brick walls.

- Dig up sufficient space to accommodate the wall mounting bracket (bracket supplied with water heater) of minimum depth 100 mm.
- Fill up the complete dig up space with cement concrete.
- Ensure cement concrete is properly cured/set.
- Then, the water heater can be fixed with the help of bolts provided along with the unit.

B. In case of solid walls

Follow process as below :

- Drill hole in wall as shown Picture 1.
- Fix Instanio Prime 6L with the bolt and washer.



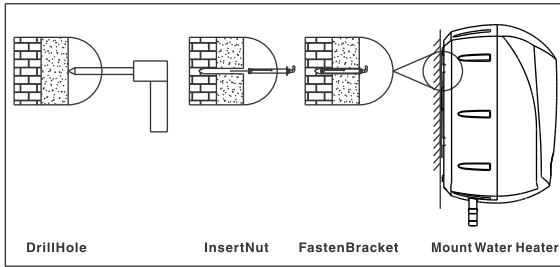
A
Hollow brick walls

B
Solid walls

Mounting

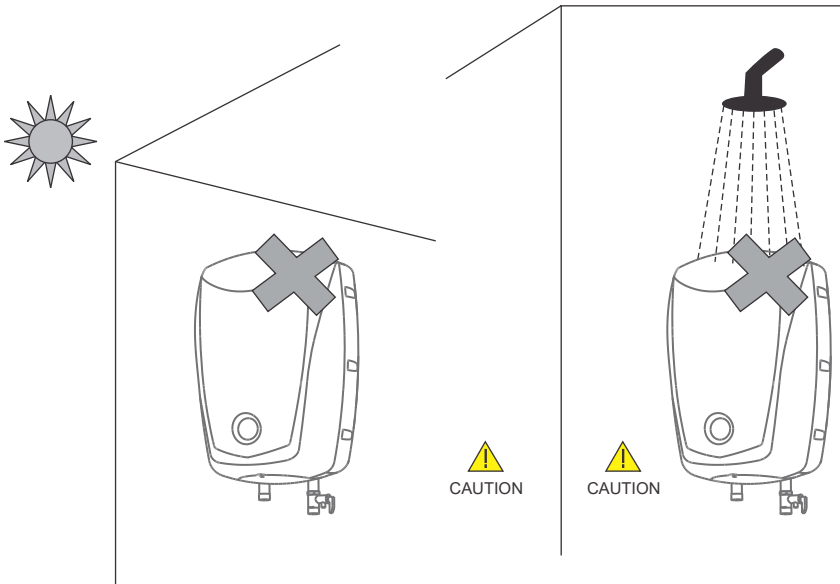
Now, the water heater can be hooked on the wall bracket.

1. After hooking on bracket, tug downward the water heater and ensure both fingers of bracket are properly seated in the mounting slot.



Picture 1

2. Do not install in the area of direct sunlight and water splashes.



Picture-2

Water Connections

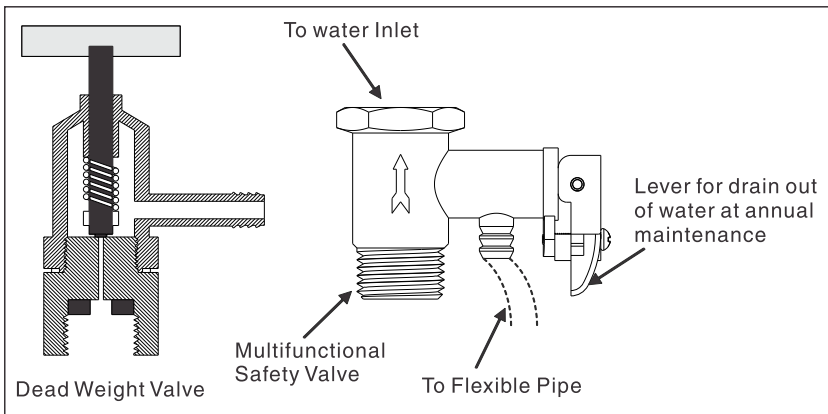
⚠ CAUTION

- A. Do not connect the inlet directly to water lifting pump.
- B. Do Not SWITCH ON water Heater without water filled in tank.

1. In case inlet water pressure is more than 0,8 MPa or water pressure head 80 meter, install the dead weight valve before inlet as shown in Picture 2 (not provided with this unit).
2. Minimum height between the water heater and water supply tank should be at least 1 meter.
3. For connecting the inlet & outlet between water heater and bathroom fittings, use metal flexible pipes.
4. Cold water inlet is marked blue and hot water outlet is marked with red.
5. First, fix the multifunction valve (MFV) to inlet of water heater.
6. Connect cold water inlet to other end of MFV with metal flexible pipe.
7. Open inlet water tap and allow the water to fill in the water heater. Make sure that the water starts flowing from outlet of water heater.
8. Connect the outlet with metal flexible pipe to hot water outlet point of bath fitting. Open the tap & valve and check the water is flow through the hot water tap
9. Connect MFV with PVC pipe for drain see Picture 3.

⚠ CAUTION

Ensure no leakage of water through inlet and outlet joints.



Picture 2

Picture 3

Electrical Connections

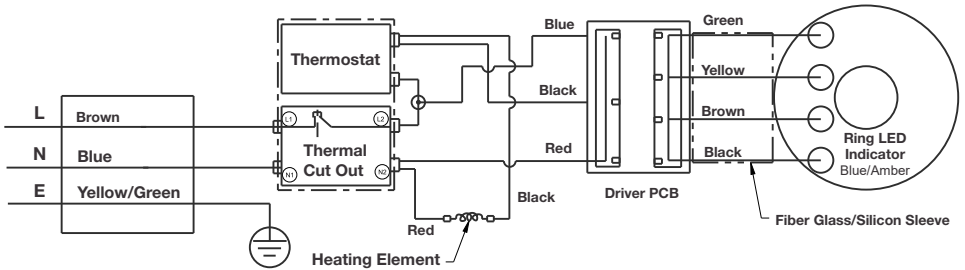
1. This unit is provided with all internal connections/wiring made in the factory itself.
2. The water heater is provided with a supply cord, with a 3 pin plug top of 16 Amp.
3. Make sure that the electrical contact of 3-pins plug and switch is secure with proper earthing.
4. To energize water heater, plug in the 3-pin in socket for electric supply.

Internal Wiring Diagram -

The schematic diagram shows the internal wiring.

Make sure that the Water Heater is switched off and plugged-off from electrical supply before opening the Inspection cover. Follow the Internal wiring connections as shown in the diagram while carrying out the maintenance.

INTERNAL WIRING DIAGRAM



Operation of Water Heater:

A. Using the heater for the first time :

1. Do not switch "ON" before filling the heater with water.
2. Leave the hot water tap open. Now fill the heater by opening the control valve at the inlet.
3. When the heater is full, water will start flowing through the hot water tap. Close the hot water tap.
4. Now the heater will always have water inside. Water drawn will be replaced by water from the over head tank.
5. Always keep the inlet control valve open.
6. Now switch "ON" the power supply to the heater.

B. Using the heater regularly :

1. Always keep the inlet valve open so that water drawn from the hot water tap is automatically replaced from the mains.
2. When the water reaches the required temperature the thermostat will cut-off the power supply automatically.
3. Initially it may take a long time for the water to get hot, it is recommended to switch "ON" the water heater at least an hour before you want to use it.
4. If you require hot water early in the morning, switch "ON" previous night itself, thermostat would cut-off the power automatically, when the water reaches the set temperature.
5. The heater can also be kept "ON" always, if required since the heater is completely insulated, the water will remain hot. The thermostat will cut-in and cut-off automatically to keep the water at constant temperature. In this way you can always get hot water.

Maintenance & Cleaning:

1. To benefit from the highest standards of service and to ensure your guarantee remains in focus, please always contact HAVELLS approved dealer or HAVELLS Authorised Franchise
2. Always keep the inlet control valve open.
3. Never switch "ON" the water heater without water in the heater. It will damage the heating element.
4. Check condition of metal flexible pipe at-least once in a year. If found damaged replace with new pipes.
5. Check the condition of power supply cord for "No Damages". Replace it by an authentic supply cord in case of damage
6. To increase the life of heating element, de-scaling should be done periodically with the assistance of the nearest authorized service center.

If the water heater is not going to be used for a long time,

- a. Plug Off the power supply,
 - b. Stop Inlet water supply
 - c. Unscrew the drain lever, lift the lever upward to remove the water through drain system provided in MFV.
7. During reuse of water heater
 - a. Ensure Drain Plug lever is reset and screwed
 - b. Open Inlet Valve and fill the water heater till the clean water flows from outlet tap.
 - c. Plug-in the power supply to heat the water
 8. Periodically check the MFV to ensure that it is in operating condition. The MFV should be operated regularly to remove salt deposits and to verify that it is not blocked.
 9. Check proper functioning of the safety valve in every two months by opening and closing the test lever.
 10. The heating element should be checked every year for "No Scale Formation" caused by impurities in the water supply.
 11. We recommend to check Magnesium anode rod in every year & once it has been used up over 60%, the Magnesium anode should be replaced with a new one.

For cleaning the element or replacing the anode use the following procedure :

1. Switch off the electric supply to the water heater.
2. Open the hot water taps until the hot water is removed completely.
3. Close cold water supply.
4. Drain the cold water from tank through MFV drain pipe by lifting the drain lever. Remove flexible pipe.
5. Remove the water heater from the hanger hook, after water heater is emptied
6. Remove the inspection cover from bottom , unscrew the heating assembly flange.
7. Clean the container and the heating element assembly to remove scale formation, by using a suitable acid or by gently scraping the scale. Check the heating element surface after cleaning for "No Surface Damage"
8. Replace Magnesium anode in case it is worn out .
9. Remount the heating assembly flange. Ensure the Internal wiring connection are made as per the wiring diagram shown in the manual.
10. Hang the water heater on the mounting bracket/ hook provided on the wall. Move the water heater down-ward to ensure that it is seated on bracket properly.
11. Open cold water supply until water flows without interruption from outlet valve.
12. Close the outlet valve and check for "No eventual leakage" around the flange and water connections.
13. When there is no leakage, then switch on electric supply.

DO'S

1. The gate valve at the inlet should always be kept open.
2. To minimize scaling of heating element & the tank, (which takes place rapidly in areas of hard water), drain the water from heater unit periodically. However get this done through a qualified technician / plumber only
3. Always get the water heater serviced once in a year from a Havells authorized service representative
4. Use genuine spares when spares placement is necessary.
5. Switch OFF the power supply to the unit & drain out the water when not in use for a longer period of time. This prevents scaling of the element.
6. In case both the lamps do not glow, do not start the unit by resetting the thermal cutout. Instead contact the nearest customer care centre.

DON'TS

1. Safety devices like safety valve, thermostat, thermal cut-out etc are pre-set from factory & sensitive devices. Do not tamper with them, this could be hazardous.
2. Do not switch ON the heater till it is completely filled with water.
3. In case you observe any abnormality of operation, immediately switch OFF the main power supply to the unit and contact the nearest customer care centre.
4. Never install a pressure reducer valve at the inlet.

WARRANTY

This Water Heater carries 7 years warranty for Inner Container, 4 year warranty on Heating Element and 2 Year comprehensive warranty on other electrical components from the date of purchase against manufacturing defects. Free repair will be provided under the warranty period when the Water Heater is returned to our Service Centre, freight and cartage paid.

This warranty only applies if -

- a) The water heater has been installed as per instruction manual.
- b) Maintenance has been carried out as instructed.
- c) Safety valves and anodes have been kept in right working condition.

The warranty is void if -

- a) The tank has been damaged by external causes.
- b) Damages due to misuse, accident, negligence, un-authorized repair or alteration or modifications or incorrect use of the water heater & normal wear & tear.
- c) MFV is not Installed with water heater.

Please preserve this warranty card along with paid bill/invoice from the dealer while making purchase. These documents must be presented to the service centre or to the dealer to avail this warranty.

Whenever some part is to be replaced get only genuine spares from our dealer. If there is any difficulty, please contact our service centre or customer care cell.

Customer Name : Model No. :

Serial No. :

Invoice No. :

Date of Purchase :

Dealer`s Name, Address :

Dealer`s Seal & Signature

Customer Care Record

Date	Description of Complaint	Guarantee Yes/No	Remarks

Notes :

Havells India Ltd.

QRG Towers, 2D, Sector -126,
Expressway, Noida - 201 304 (UP), Ph. +91-120-3331000,
E-mail: marketing@havells.com, www.havells.com

Consumer Care No.:

1800 11 0303, 1800 103 1313 (All Connections), 011-4166 0303 (Landline)

Join us on Facebook at www.facebook.com/havells

and share your ways to save the planet!

CIN - L31900DL1983PLC016304.

Regional & Branch Offices:

NORTH - REGIONAL OFFICE: Corporate Office: QRG Towers, 2D, Sector-126, Expressway, Noida-201304, Tel: 0120-3331000, Delhi: Tel: 011-47676700, 23888200, Chandigarh: Tel: 0172-4232400-401, Dehradun: Tel: 0135-6670202, Noida / Haryana: Tel: 0120-3331000, Ludhiana: Tel: 0161-4676000 / 24, Jammu: Tel: 0191-2478330, 2479330, Sri Nagar: Tel: 0194-2490431, Jaipur: Tel: 0141-3914645, 3988210, Jodhpur: Tel: 0291-9214201640/45, Lucknow: Tel: 0522-6672100, Kanpur: Tel: 0512-6710400, 6710409

EAST - REGIONAL OFFICE: Kolkata: ICC Tower, 5th Floor, 4 India Exchange Place, Kolkata-700001, Tel: 033-40129851/52, Bhubaneswar: Tel: 0674-6668101/102/103/104, Guwahati: Tel: 0361-2134521, 2458923, 2460355, Siliguri: Tel: 0353-2525907, Ranchi: 0651-2244861, 2244862, 2244864, 2244868, 2244869, Jamshedpur: Tel: 0657-6542492, 09234369436, Patna: Tel: 0612-2207221, 2207222, 2207223, 2655518

WEST - REGIONAL OFFICE: Mumbai: 1271, Solitaire Corporate Park, Bldg. No. 12, 7th Floor, Andheri - Ghatkopar Link Road, Chakala, Andheri (East), Mumbai- 400093. Ph.: 022 - 67298600-602, Ahmedabad: Tel: 079-40061111, 40060738-740, Indore: Tel: 0731-2572340-41, 4009998 (Airtel), Rajkot: Tel: 0281-2481112, 2921212, Nagpur: Tel: 0712-2240932, 2242692, 2242699, Pune: Tel: 020-64016413 / 14, Raipur: Tel: 0771-4243400/01, Surat: Tel: 0261-2350137, 9979890137, Jabalpur: Tel: 0761-4064491

SOUTH - REGIONAL OFFICE: Chennai: Sigapi Achi Building, No. 18 / 3, 6th Floor, Rukmani Lakshmi pathy Road, Egmore, Chennai-600008, Tel: 044-42280600, 605, Bangalore: Tel: 080-49075000, Coimbatore: Tel: 0422-4550200, 2305199, 2306199, Hyderabad: Tel: 040-27533372, 27533355, 27533632, 66320407/0408/6401/6402, Kochi: Tel: 0484-4099000, Vishakapatnam: Tel: 0891-6514339, Vizag: Tel: 0891-6514339, Vijayawada: Tel: +91-9247058847/57, Calicut: 0495-4019194, Madurai: 0452-4267022, Trivandrum: 0471-4015323, Hubli: 0836-4248600, Trichy: 09944460160

Representative Offices: • Goa • Solapur • Gwalior • Kathmandu • Bhopal



HAVELLS