

DP RCCB

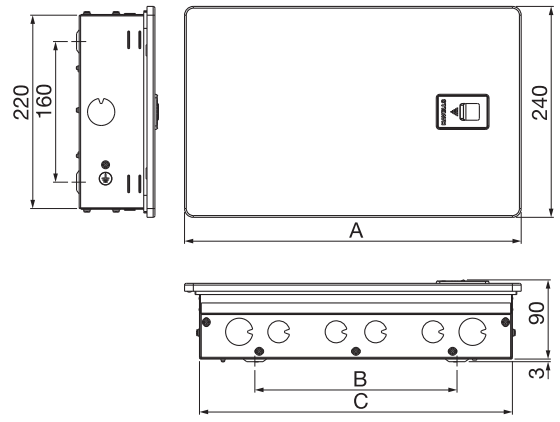


**ELECTRIC HAZARD WARNING**  
Warning: Isolate supply before removing cover.

- Do not remove Inner Cover while Circuit is operational
- Switch OFF Mains before undertaking any task

**WARNING**

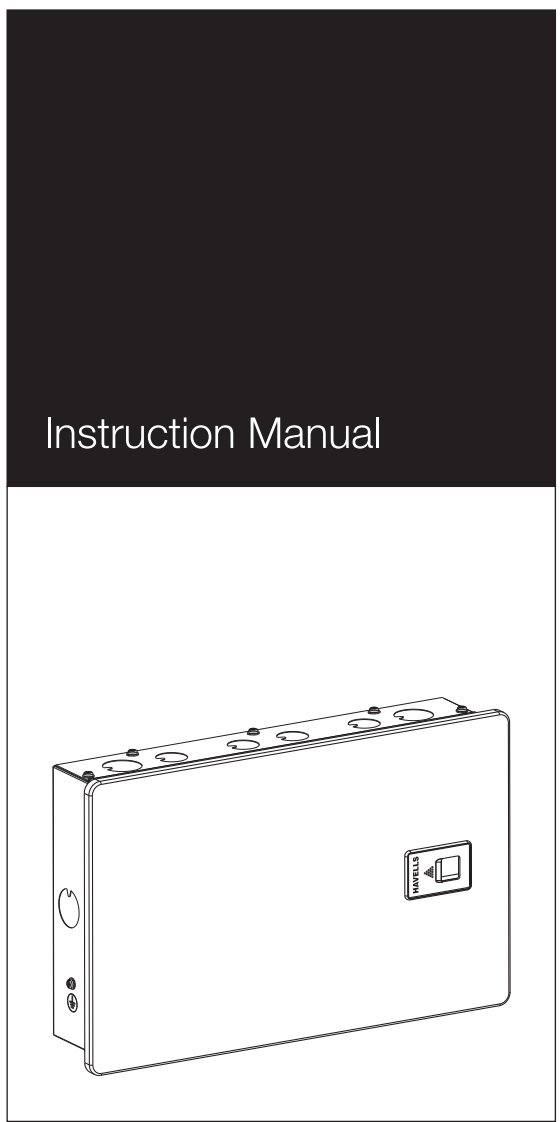
1. Ensure tight connections at all time since loose connections are major reason for false tripping and burnt terminals.
2. Recommended to use with earth leakage circuit breaker-RCCB.
3. Install DB only in air-circulated area.
4. Install DB far from fuel and other sensitive areas.
5. Keep away from children's reach and flooding level.
6. Make sure all circuit breakers are in OFF position before switching ON main circuit breaker/ isolator/RCCB and then switch ON each circuit Breaker one by one.



No. of Ways	A	B	C	Knockout Holes					
				TOP		BOTTOM		SIDE	
				ø26	ø32	ø26	ø32	ø32	ø32
6 W	276	122	248	4	-	4	-	1	
8 W	312	158	284	2	2	2	2	1	
12 W	384	230	356	4	2	4	2	1	
16 W	456	302	428	6	2	6	2	1	

Diagrams/pictures are for illustrative purpose only.

**Havells India Ltd.**  
 Corp Office: QRG Towers, 2D, Sector-126, Expressway, Noida-201 304 (U.P.)  
 Ph. +91-120-4771000, Email: marketing@havells.com, www.havells.com  
 Consumer Care No.: 1800 11 0303 (Tollfree), 011-4166 0303 (Landline),  
 1800 103 1313 (All Connections)  
 Copyright Subsists. Imitation of trade dress, graphics and color scheme of this document is a punishable offence.

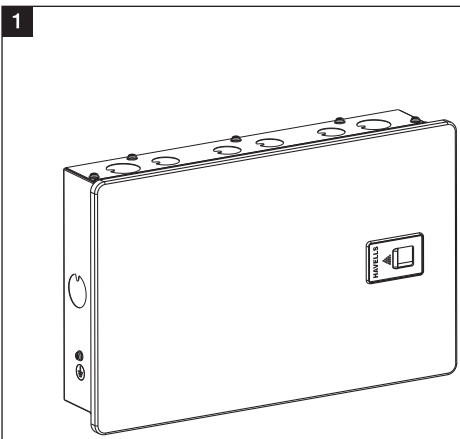


Instruction Manual

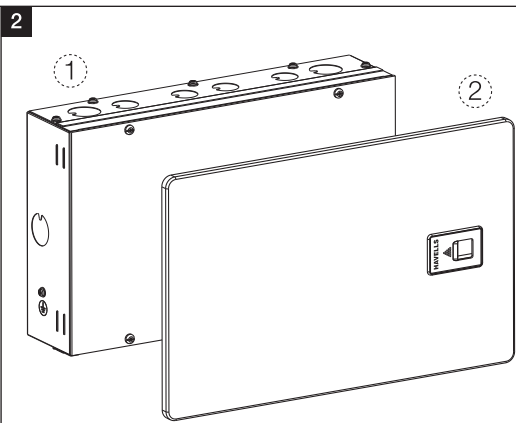
**ST-D<sub>x</sub> SPN Distribution Board**  
 Busbar Rating 100 A

Range: 6, 8, 12 & 16 Ways

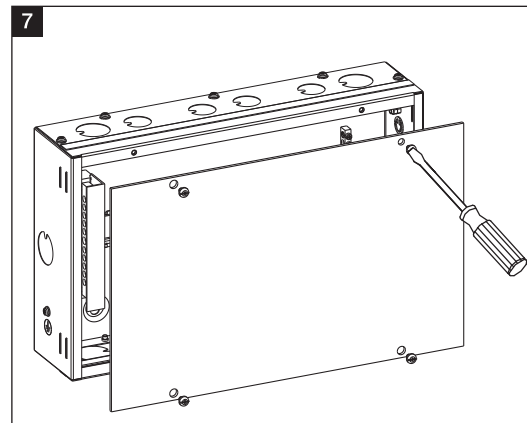




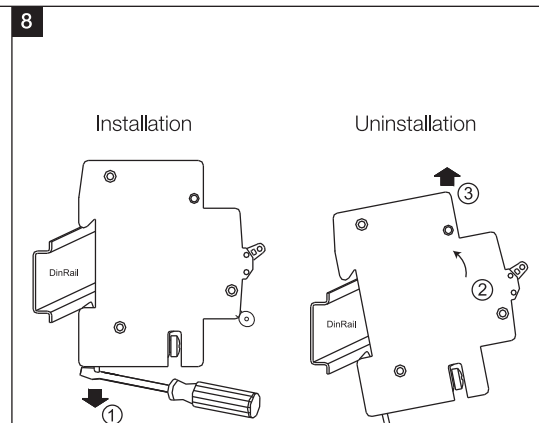
Outer view



1. Box sub assembly
2. Inner outer cover sub assembly

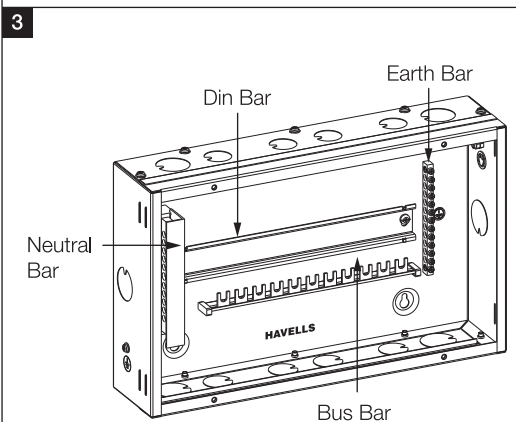


Remove masking sheet

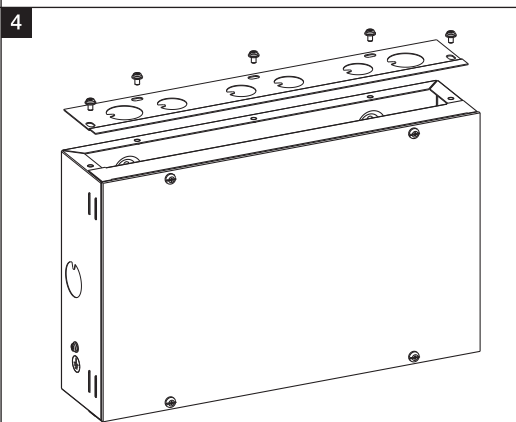


Installation  
Press MCB for Mounting on Din Rail

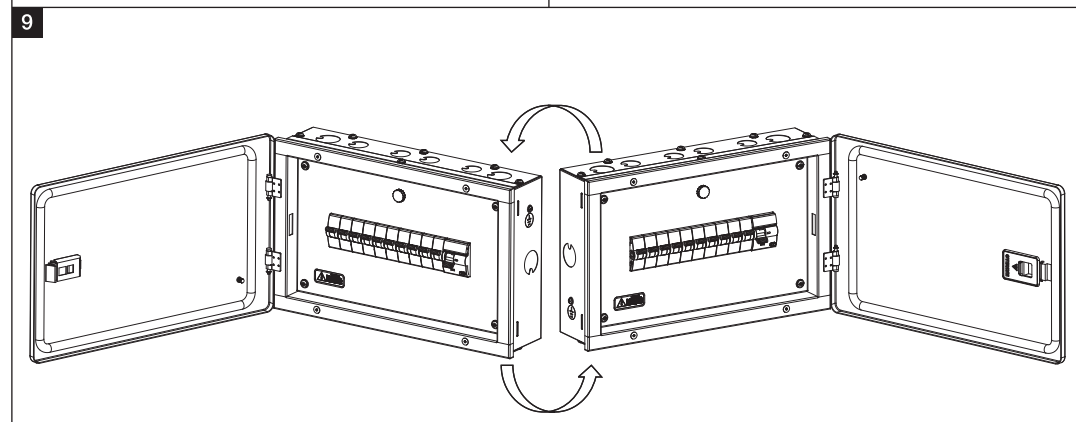
Uninstallation  
Move Bistable for Uninstallation of MCB



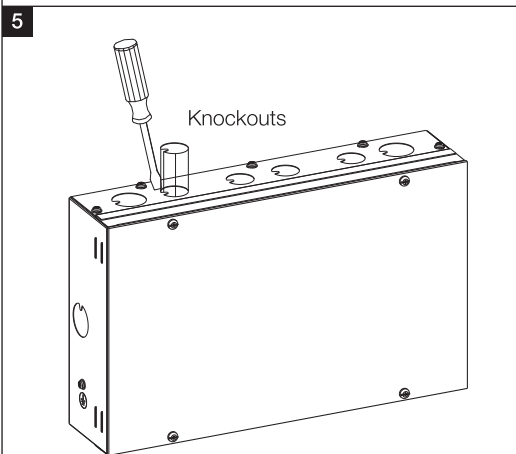
Components inside the DB



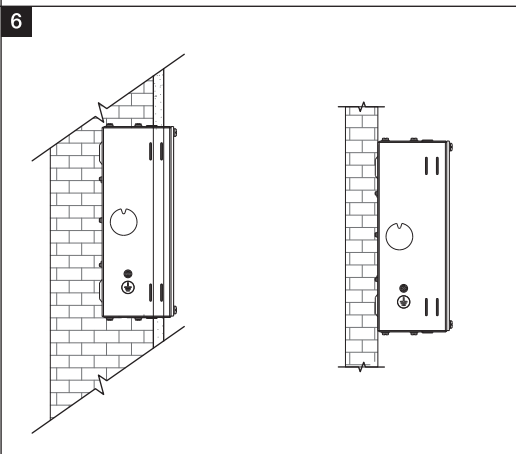
Remove top & bottom detachable plate if the DB is to be flush mounted



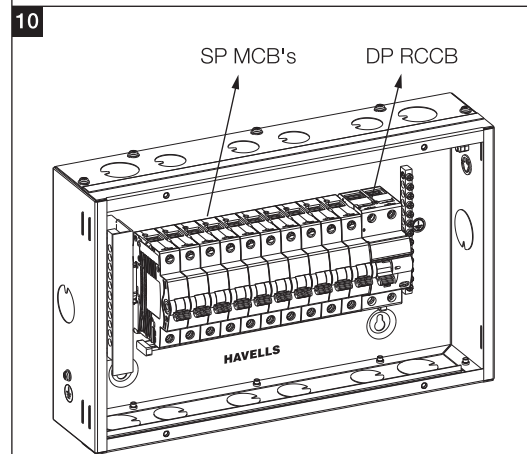
This DB has reversible door feature, Therefore the cover assembly can be assembled from both left and right side with the screws provided.



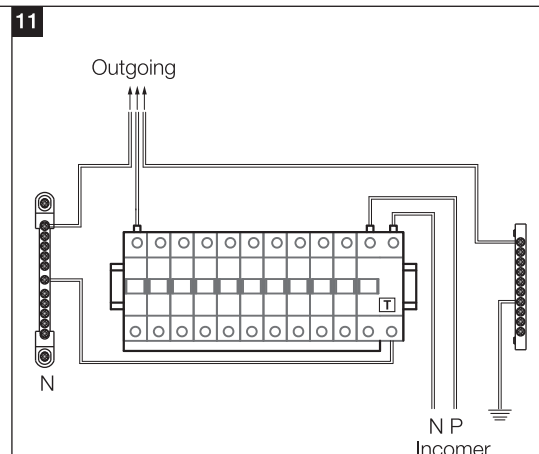
Remove Knockouts if DB is to be surface mounted



Flush mounting      Surface mounting



Install MCB on the Din Bar



Wiring Diagram